

AQUAGEM®



# InverEasy

Tailored For Replacement Market



## 10 Times Saving

IE4 motor  
4 timers for daily operation



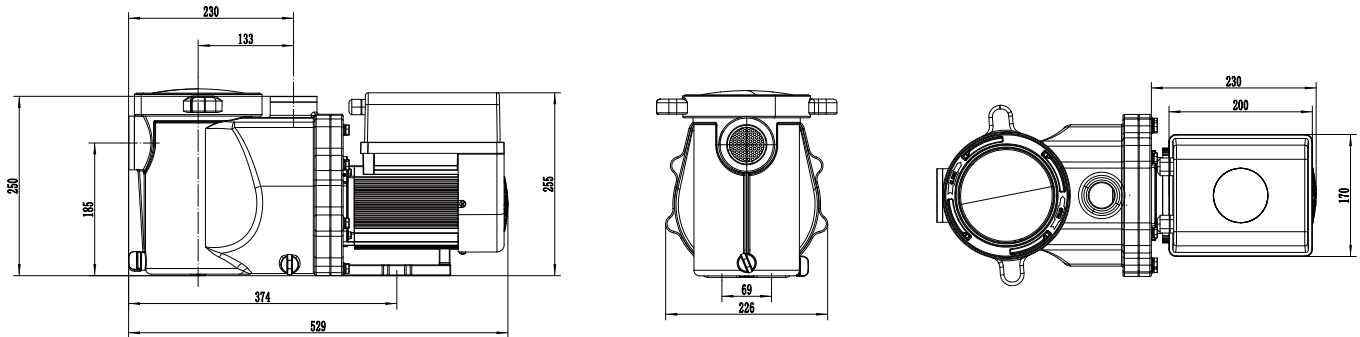
## Noise Down to 36dB(A)

soft start  
Power Consumption Reading

# TECHNICAL PARAMETER

| Model | Inlet / outlet size | Rec. inlet/outlet union size(mm) | P1 max (KW) | Voltage (V/Hz) | Qmax (m <sup>3</sup> /h) | Hmax (m) | Circulation Flow(m <sup>3</sup> /h) |      |
|-------|---------------------|----------------------------------|-------------|----------------|--------------------------|----------|-------------------------------------|------|
|       |                     |                                  |             |                |                          |          | 8m                                  | 10m  |
| DK10  | 1½/1½               | 50/50                            | 0.50        | 230 / 50       | 20.0                     | 14.0     | 11.5                                | 9.0  |
| DK15  | 1½/1½               | 50/50                            | 0.66        |                | 21.0                     | 15.0     | 15.0                                | 11.0 |
| DK19  | 2/1½                | 63/50                            | 0.80        |                | 23.5                     | 17.0     | 19.0                                | 14.5 |
| DK23  | 2/1½                | 63/50                            | 1.10        |                | 27.0                     | 19.0     | 25.0                                | 20.0 |
| DK28  | 2/1½                | 63/63                            | 1.50        |                | 31.0                     | 20.5     | 30.0                                | 28.0 |

## OVERALL DIMENSION



## PERFORMANCE CURVE

